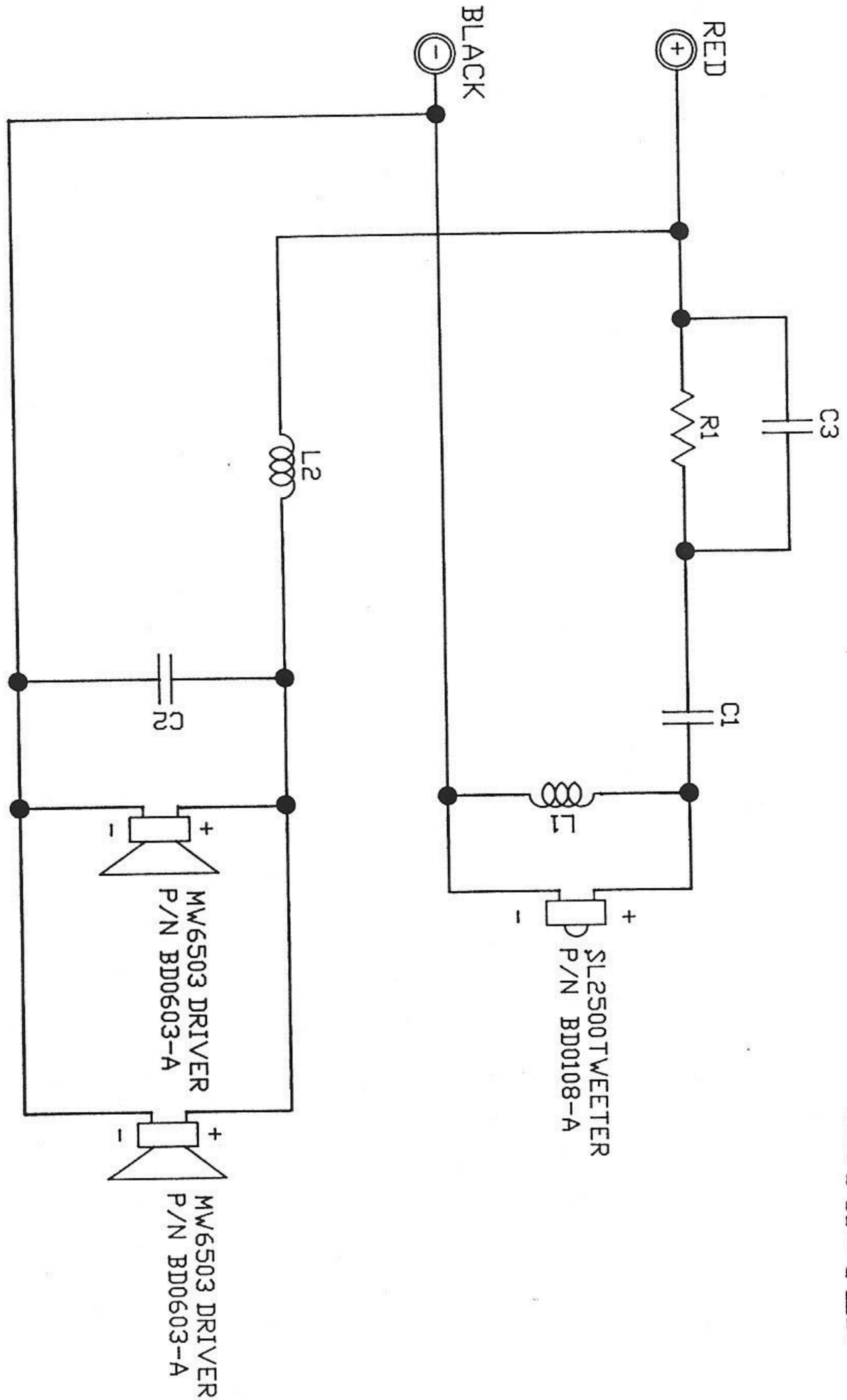


APPROVED

MAR 26 1990



LEGEND	
C1	Capacitor 16uF ±10% DF≤3% @ 1KHz Mylar
C2	Capacitor 27uF ±10% DF≤3% @ 1KHz Electrolytic
C3	Capacitor 12uF ±10% DF≤3% @ 1KHz Electrolytic
R1	Resistor 2.7Ω ±10%
L1	Coil 0.22mH ±5% #22awg.
L2	Coil 1.75mH ±5% #18awg.

NOTES:
1. DEVELOPMENT VERSION 3/22/90 #1

PART DESCRIPTION: SCHEMATIC, M10 S		DECIMAL: 2 PLC							
DRAWING TYPE: PRODUCT		DRAWING NUMBER: P0110002	±N/A						
DRAWN BY: J.B.POLING		PART NUMBER: BE1000-B	3 PLC						
DATE: 3/23/90	VIEW NUMBER: 1of1	Q APPROVAL: <i>[Signature]</i>	DATE: 3/24/90	FRACTIONAL: ±N/A					
ENGINEERING APPROVAL: <i>[Signature]</i>		DATE: 3/23/90	±N/A						
ECO NO.		DATE SYM	WHERE USED: AM10XX-B	REVISION RECORD			DR	CK	

pollkaudio