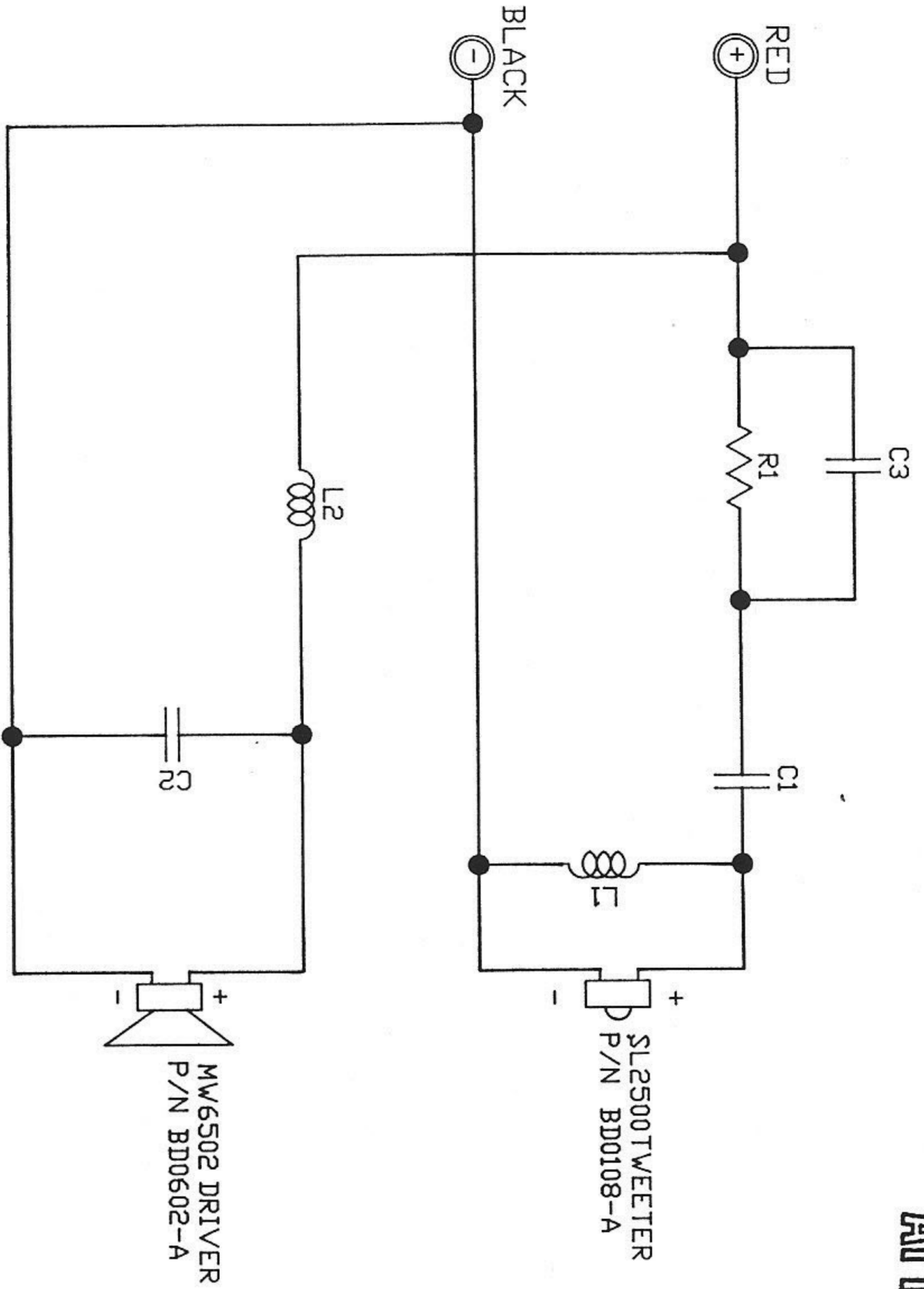


# APPROVED

MAR 26 1990



LEGEND	
C1	Capacitor 12uF ±10% DF<3% @ 1KHZ Mylar
C2	Capacitor 27uF ±10% DF<3% @ 1KHZ Electrolytic
C3	Capacitor 8uF ±10% DF<3% @ 1KHZ Electrolytic
R1	Resistor 2.7Ω ±10%
L1	Coil 0.22mH ±5% #22awg.
L2	Coil 1.75mH ±5% #18awg.

NOTES:  
1. DEVELOPMENT VERSION 3/12/90 #1

PART DESCRIPTION: <b>SCHEMATIC, M7 S</b>		DECIMAL: 2 PLC							
DRAWING TYPE: <b>PRODUCT</b>		DRAWING NUMBER: <b>P0107002</b>	±N/A						
DRAWN BY: <b>J.B.POLING</b>		PART NUMBER: <b>BE0700-B</b>	3 PLC						
DATE: <b>3/23/90</b>	VIEW NUMBER: <b>1 of 1</b>	DATE: <b>3/24/90</b>	±N/A						
<b>pollsaudio</b>		ENGINEERING APPROVAL: <i>[Signature]</i>	FRACTIONAL: ±N/A						
		DATE: <b>3/23/90</b>	±N/A	ECO NO.	DATE SYM	WHERE USED: <b>AM07XX-B</b>	REVISION RECORD		DR CK

A Δ B Δ C Δ D Δ E Δ F

1

Δ

2

Δ

3

Δ

4

Δ

5